

Vector Amplitude

Vector Phase Angle

Law of Cosines

Law of Sines

$$b^2 = a^2 + c^2 - 2ac \cos \beta$$

$$\sin \alpha / a = \sin \beta / b$$

$$b = 24.58 \text{ Turns}$$

$$\alpha = 39.36^\circ$$

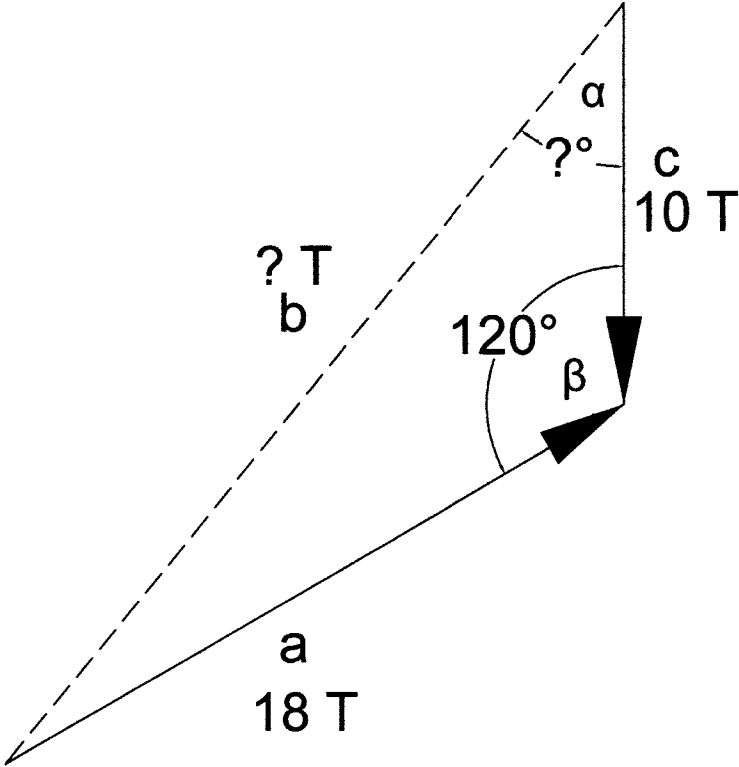


FIGURE 3